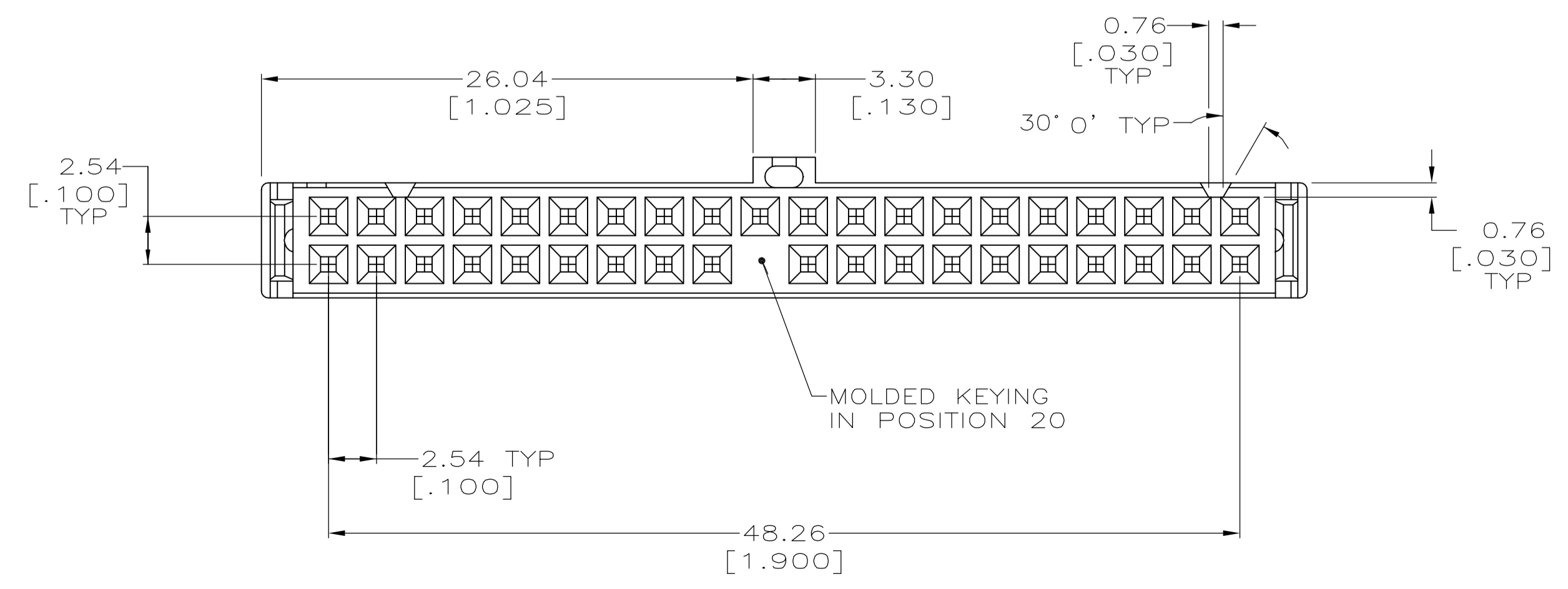
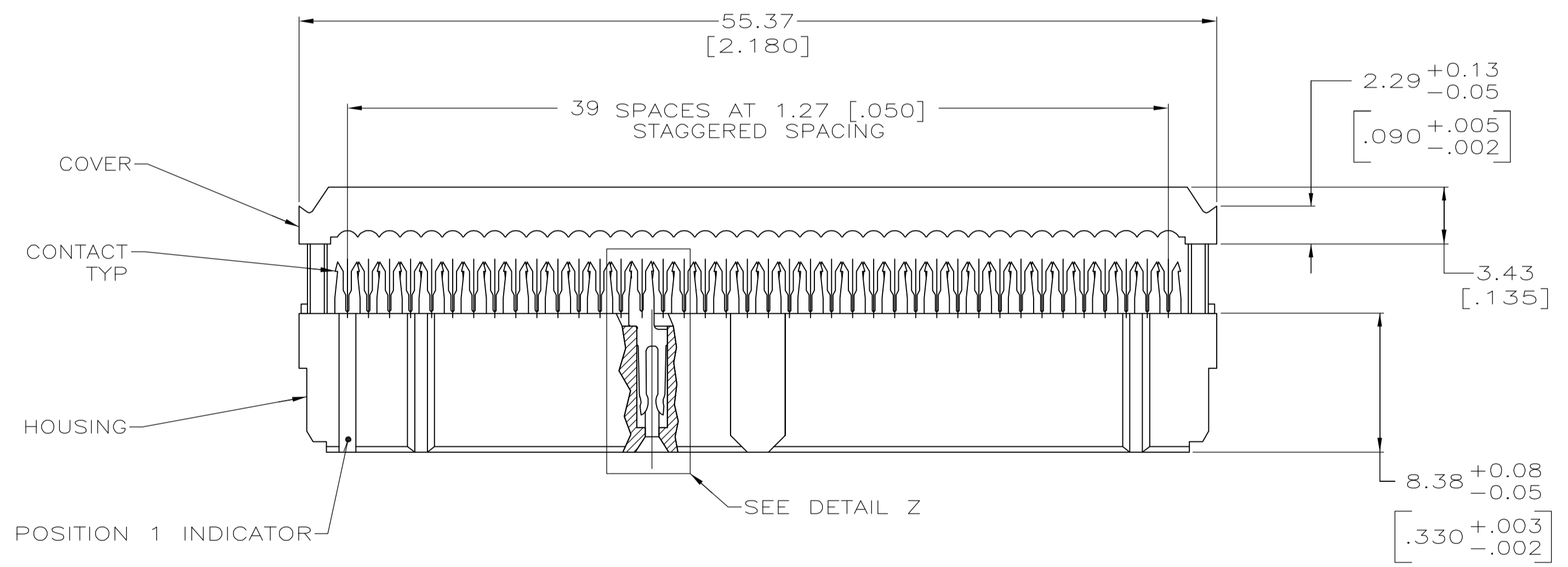
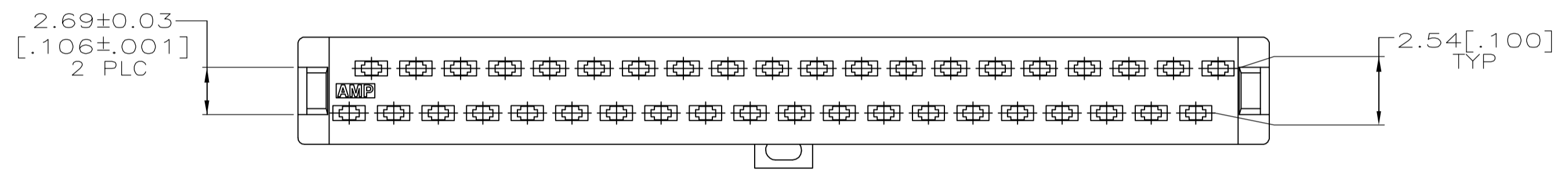
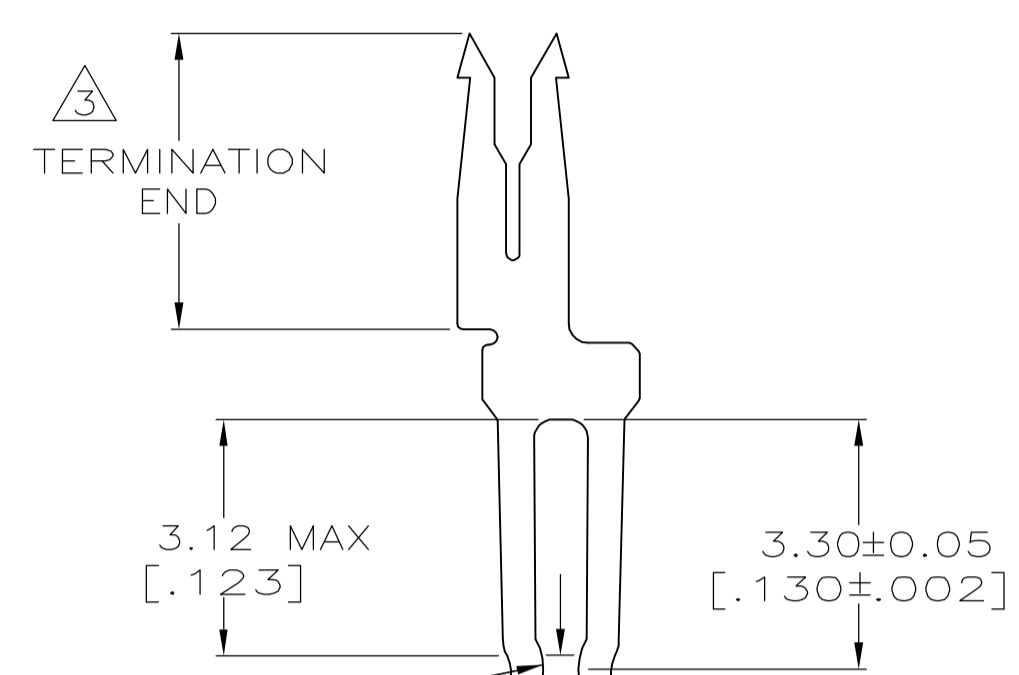


TERMINATED VIEW

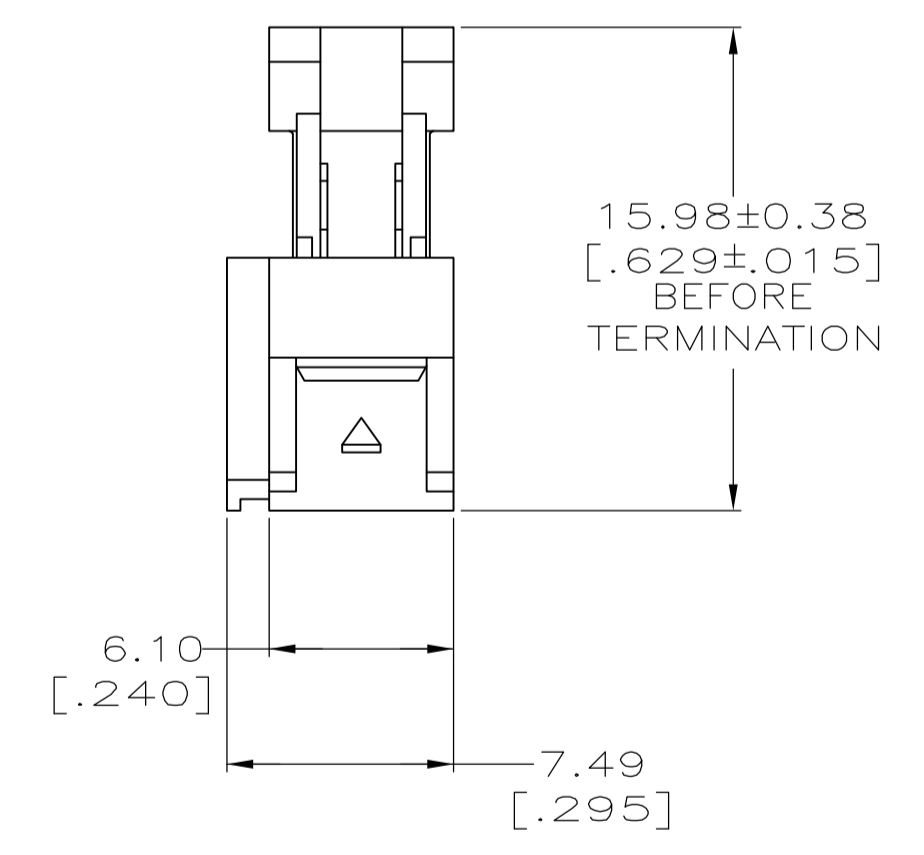


- △ POLYESTER, BLACK, UL RATED 94V-0.
- △ PHOSPHOR BRONZE PER QQ-B-750.
- △ 0.38 μm [.000015] MIN GOLD ON LOCALIZED GOLD PLATE AREA, 1.27 μm [.000050] MIN TIN ON TERMINATION END, ALL OVER 1.27 μm [.000050] MIN NICKEL ON ENTIRE CONTACT.



LOCALIZED GOLD PLATING ON THIS SURFACE
 0.36 [.014] MIN LOCALIZED GOLD PLATE AREA △

DETAIL Z
 SCALE 10:1
 TYPICAL



40	5111877-1
NO OF POSN	PART NUMBER

THIS DRAWING IS A CONTROLLED DOCUMENT.		DWG: B MCMMASTER 10JUNE04	Tyco Electronics Corporation Harrisburg, PA 17105-3608
DIMENSIONS: mm [INCHES]		CHK: R STONE 10JUNE04	
TOLERANCES UNLESS OTHERWISE SPECIFIED:		APVD: W WALMSLEY 10JUNE04	NAME: RECEPTACLE KIT, FULL COVER, CENTER & MILITARY POLARIZATION, NOVO, AMP-LATCH
0 PLC ± -	1 PLC ± -	PRODUCT SPEC: 108-40000	SIZE: A1
2 PLC ± 0.13 [.005]	3 PLC ± -	APPLICATION SPEC: 114-40005	SCALE: 4:1
4 PLC ± -	ANGLES ± 0.30'	WEIGHT: -	SHEET 1 OF 1
MATERIAL MOLDED PARTS: △	FINISH: △	DRAWING NO: 00779	REV A
CONTACTS: △	CONTACTS: △	C=5111877	CUSTOMER DRAWING